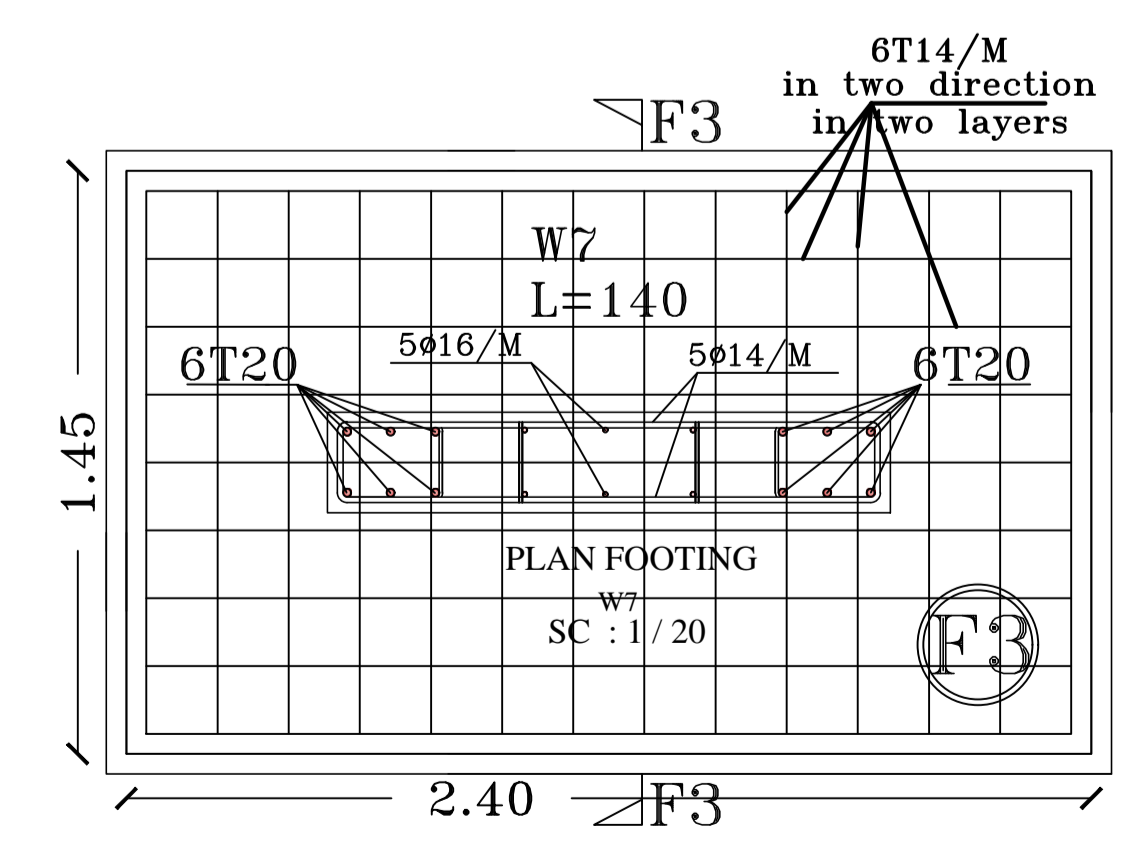
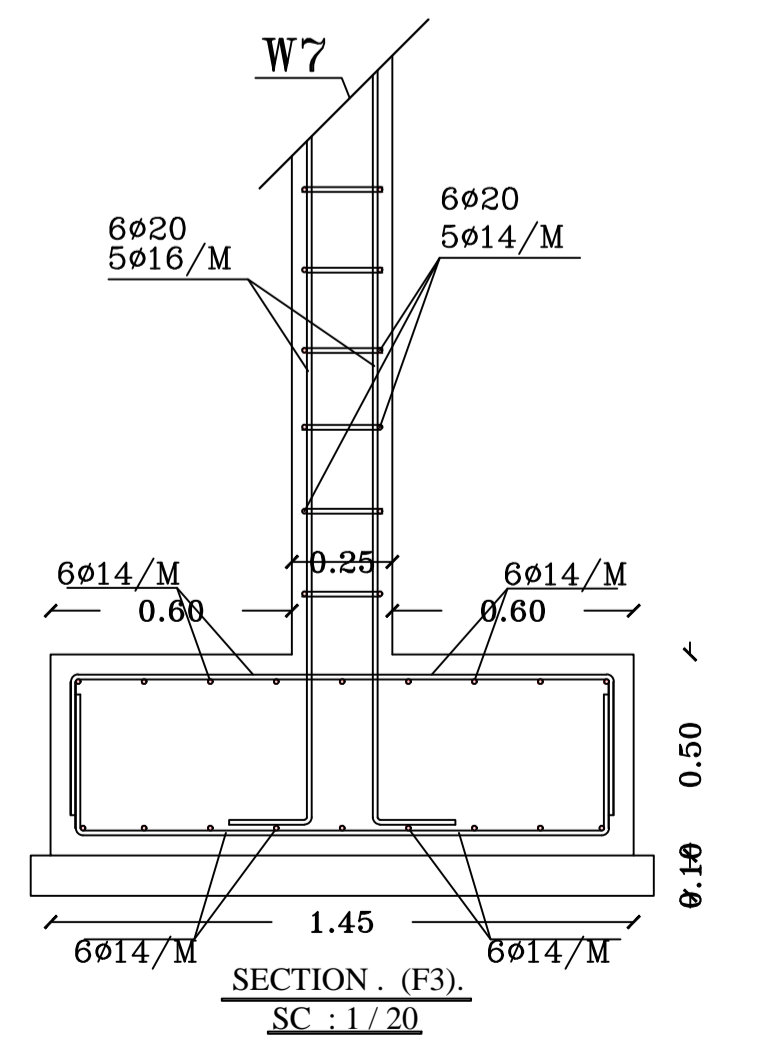
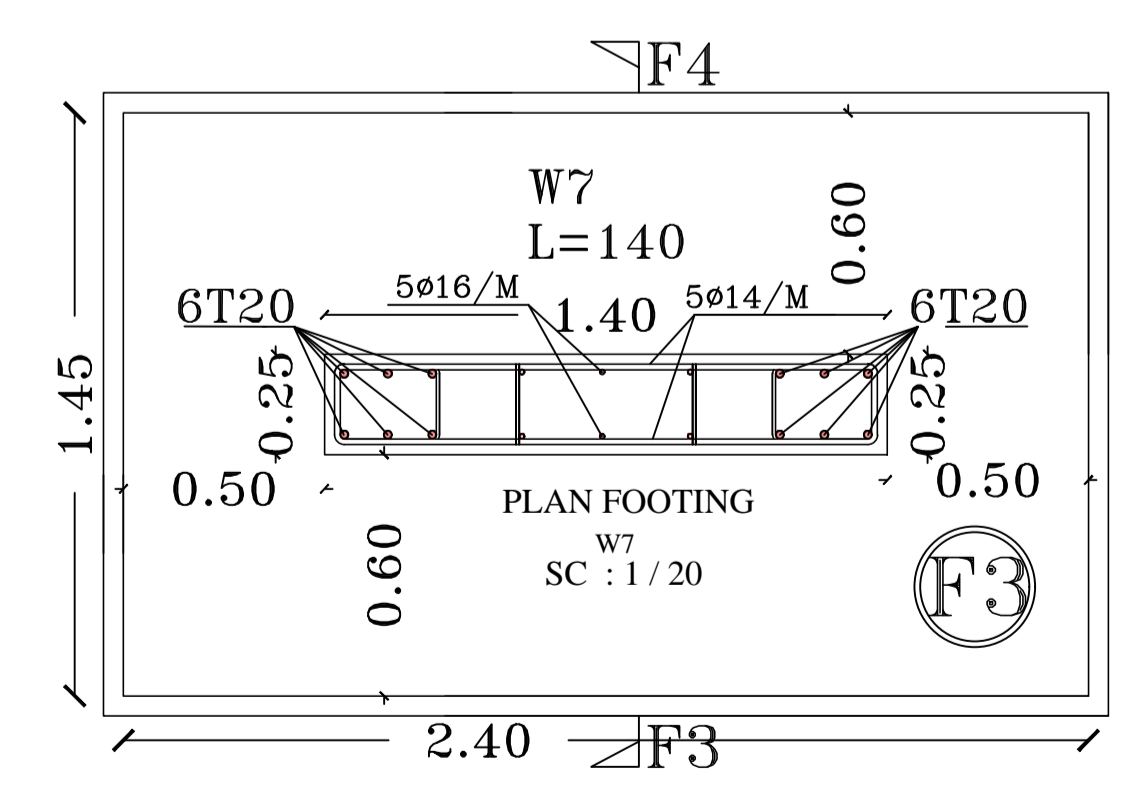
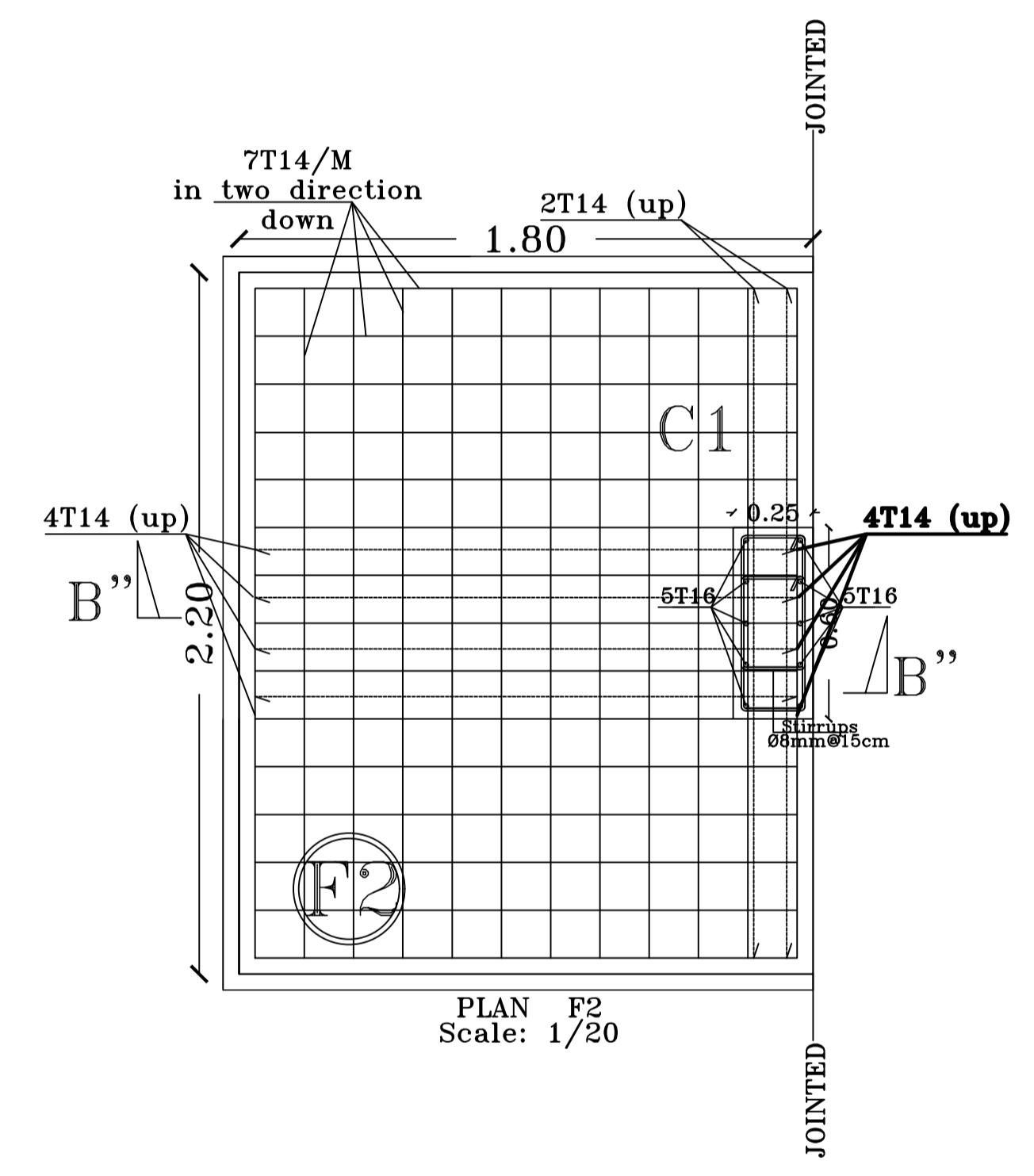
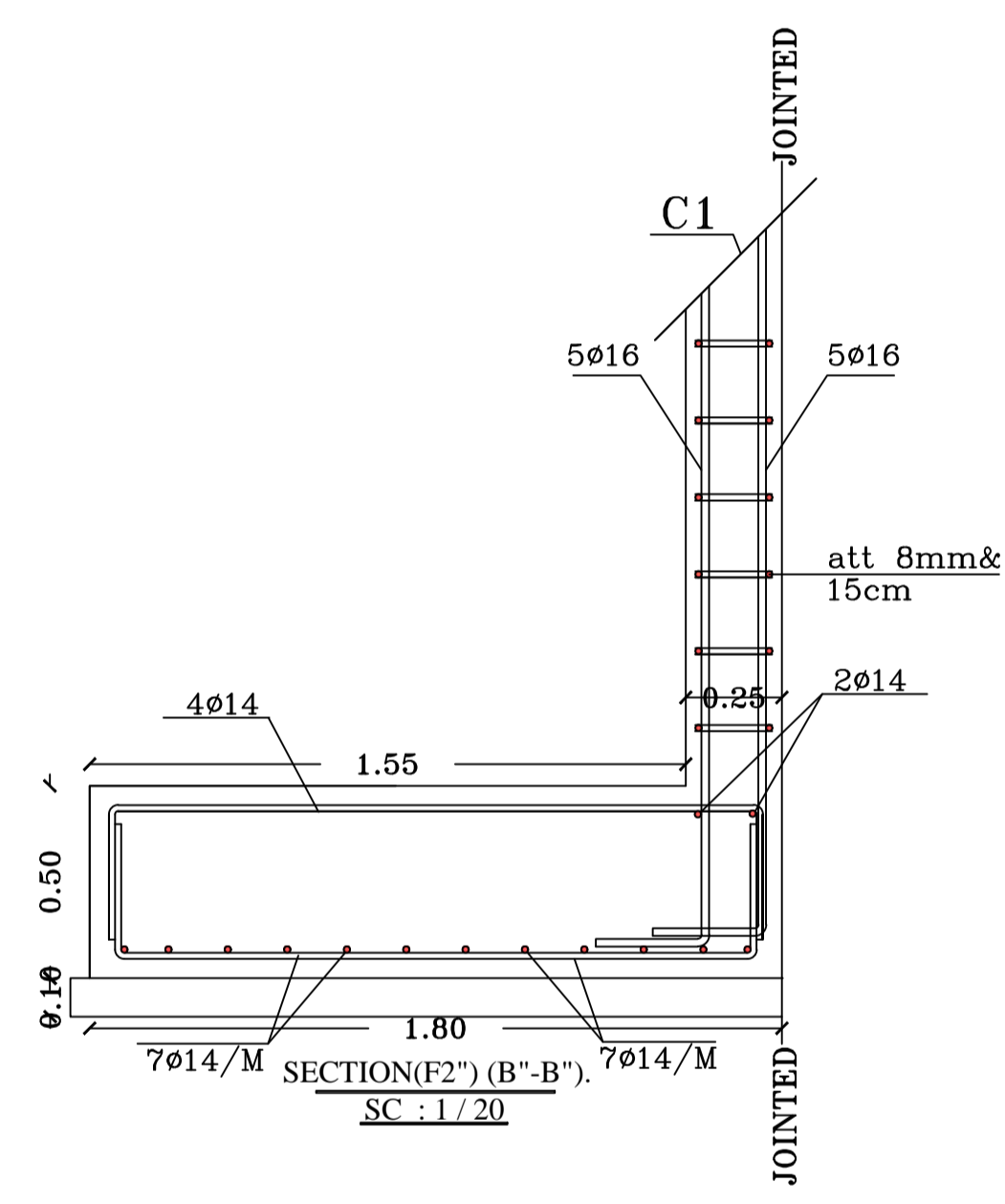
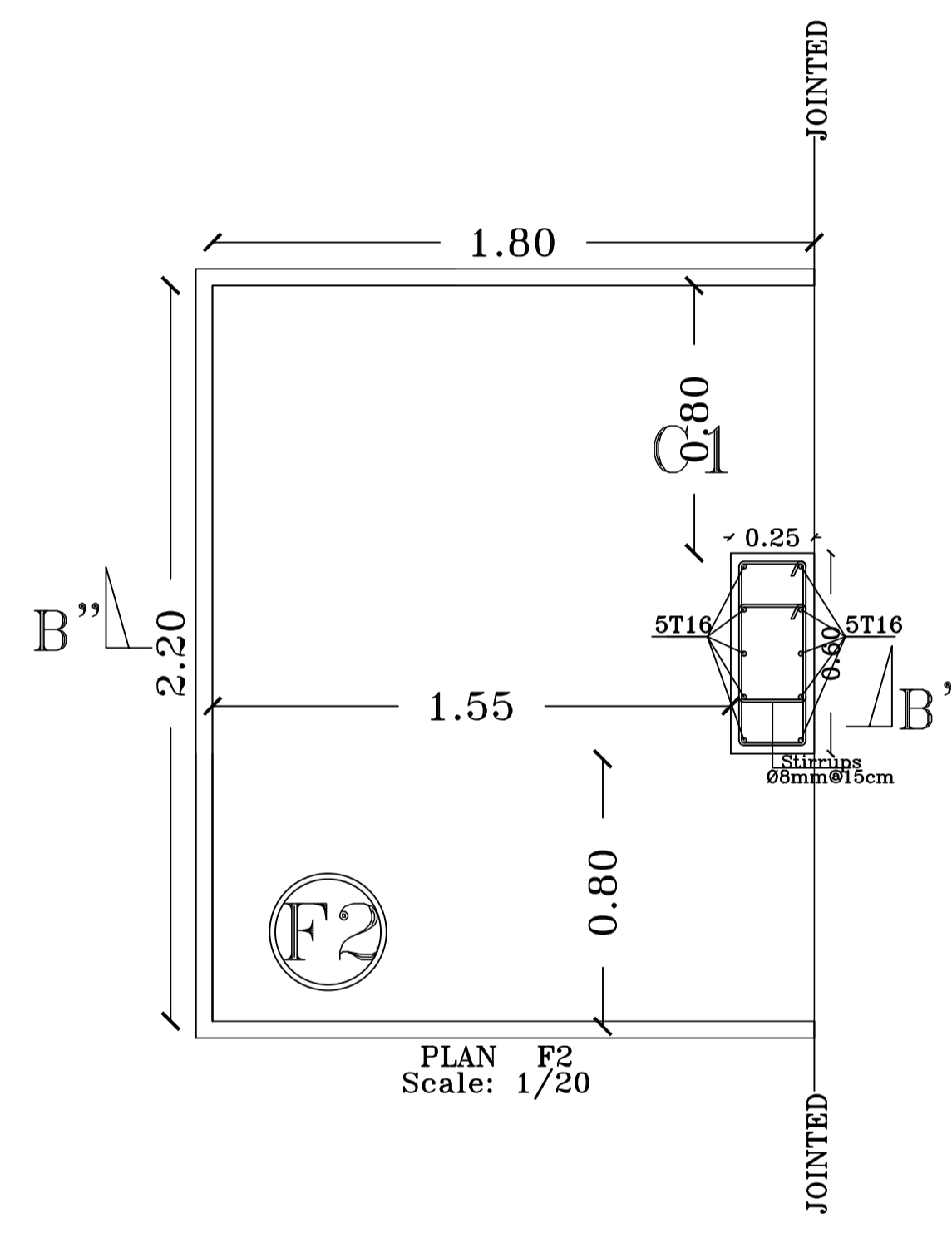
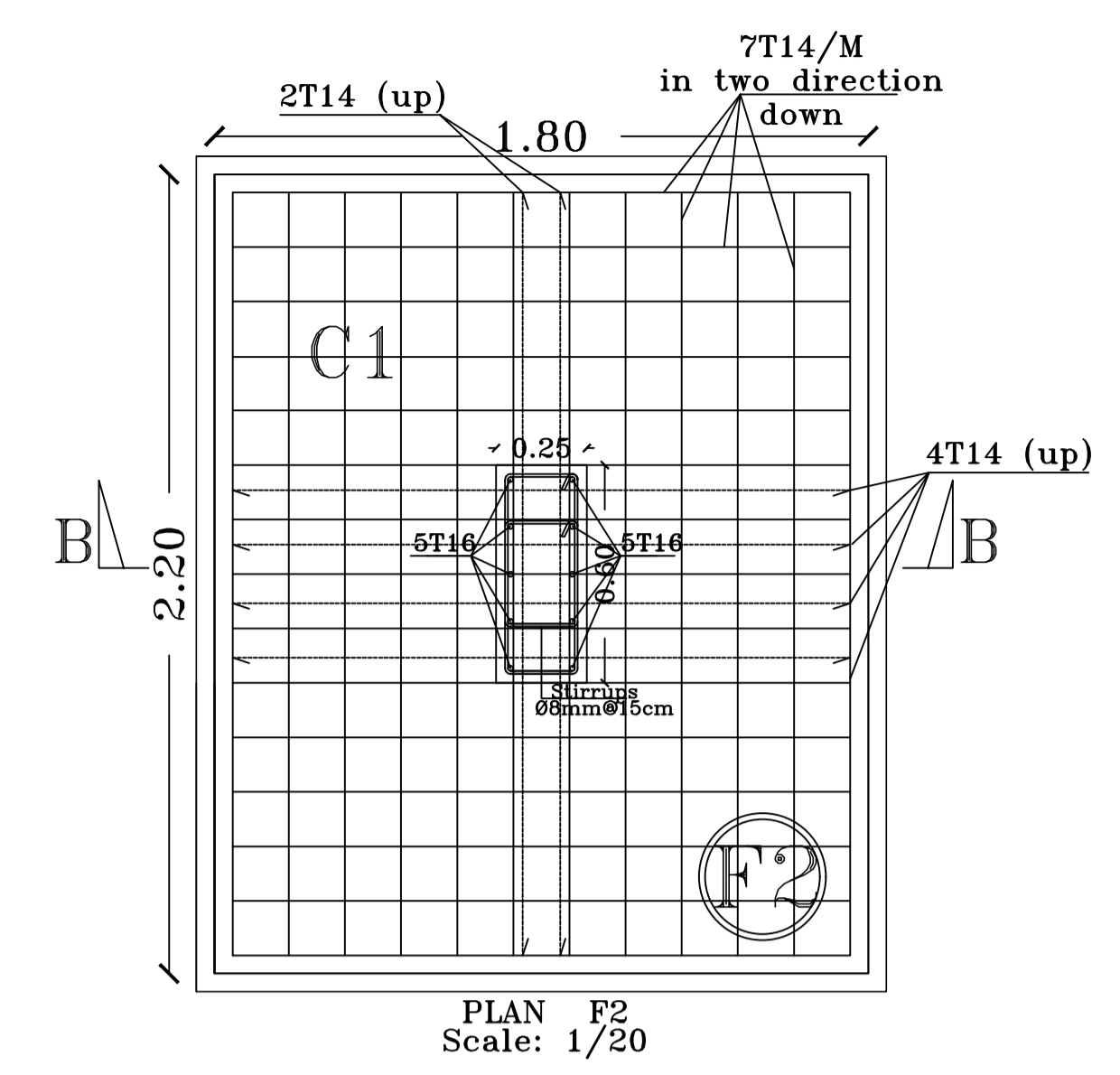
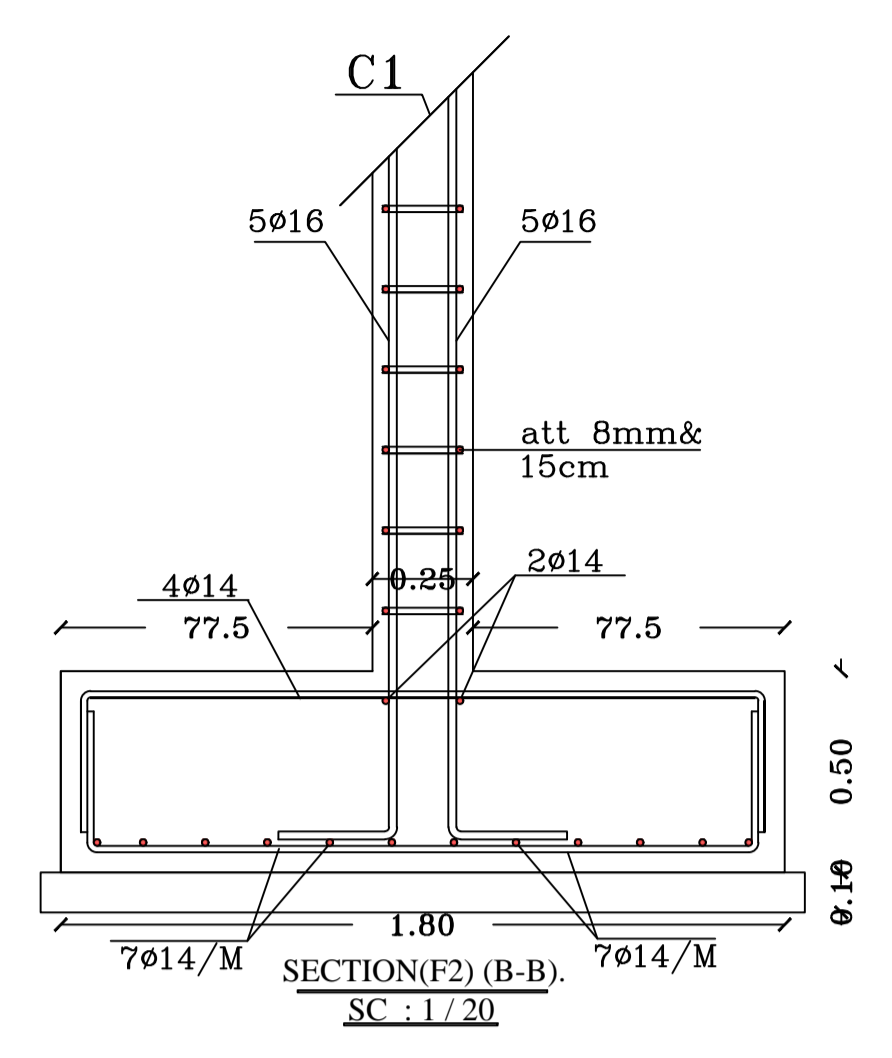
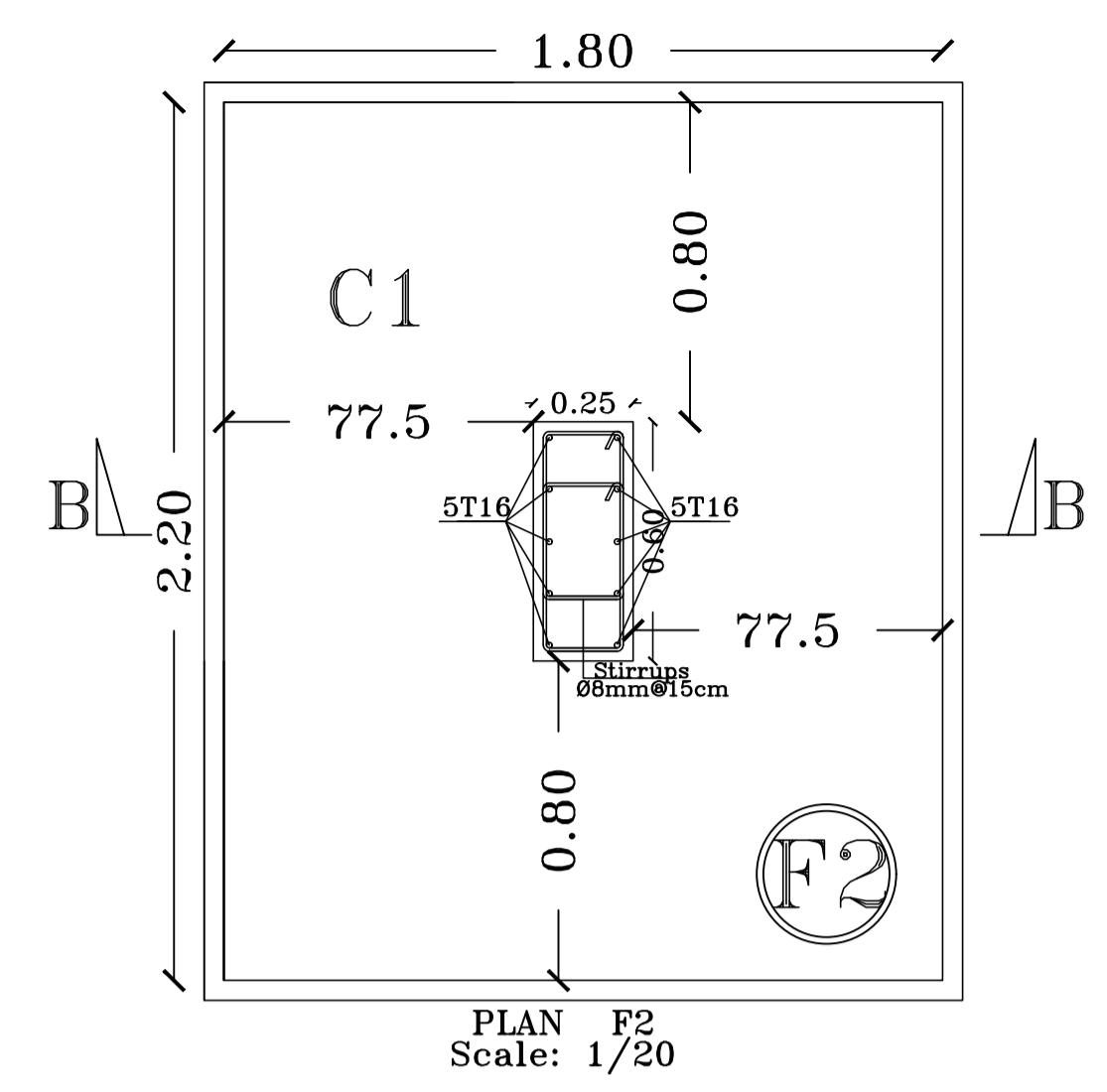


BLOCK -A-



FOUNDATION DETAIL (5)
Scale: 1/20