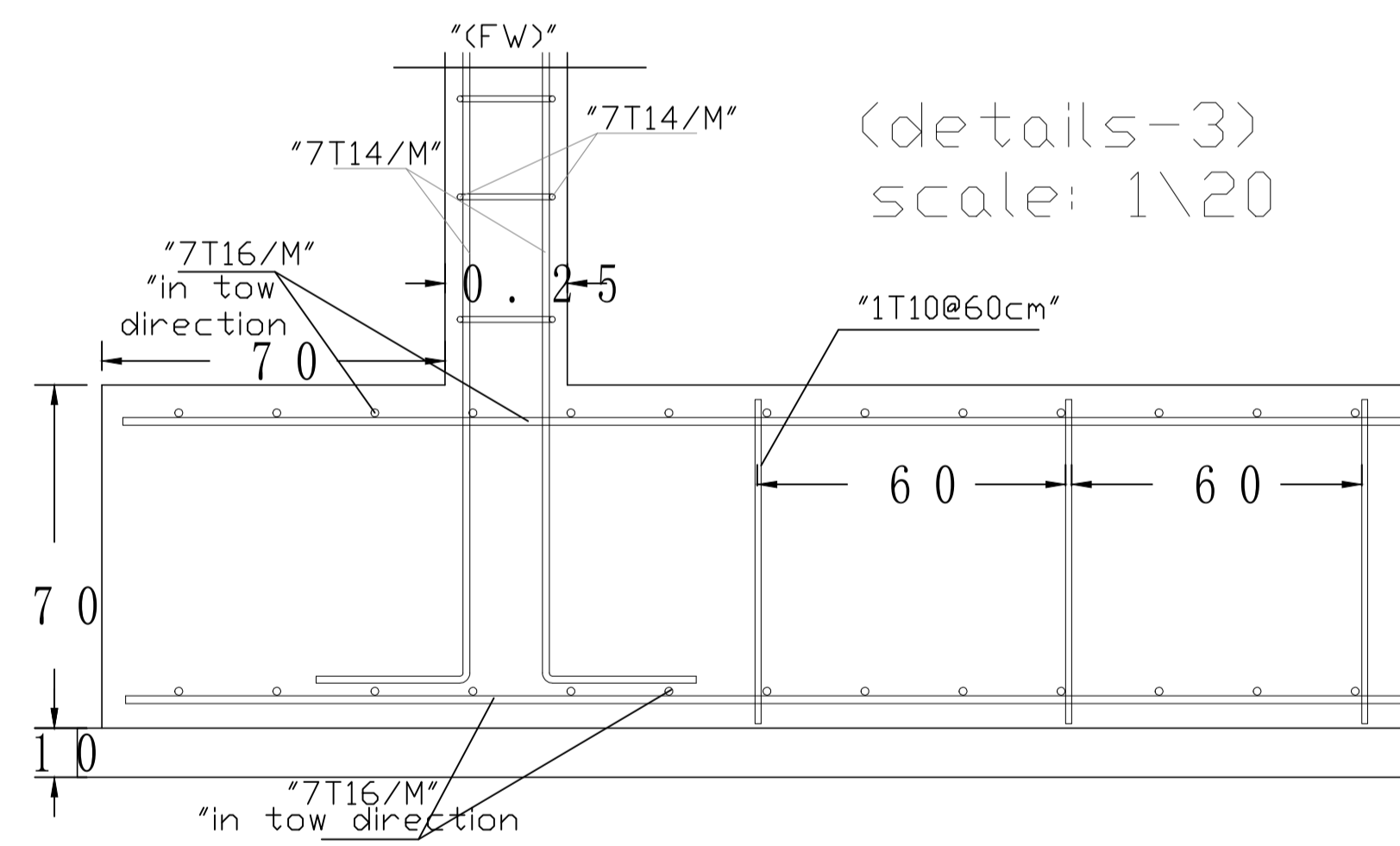
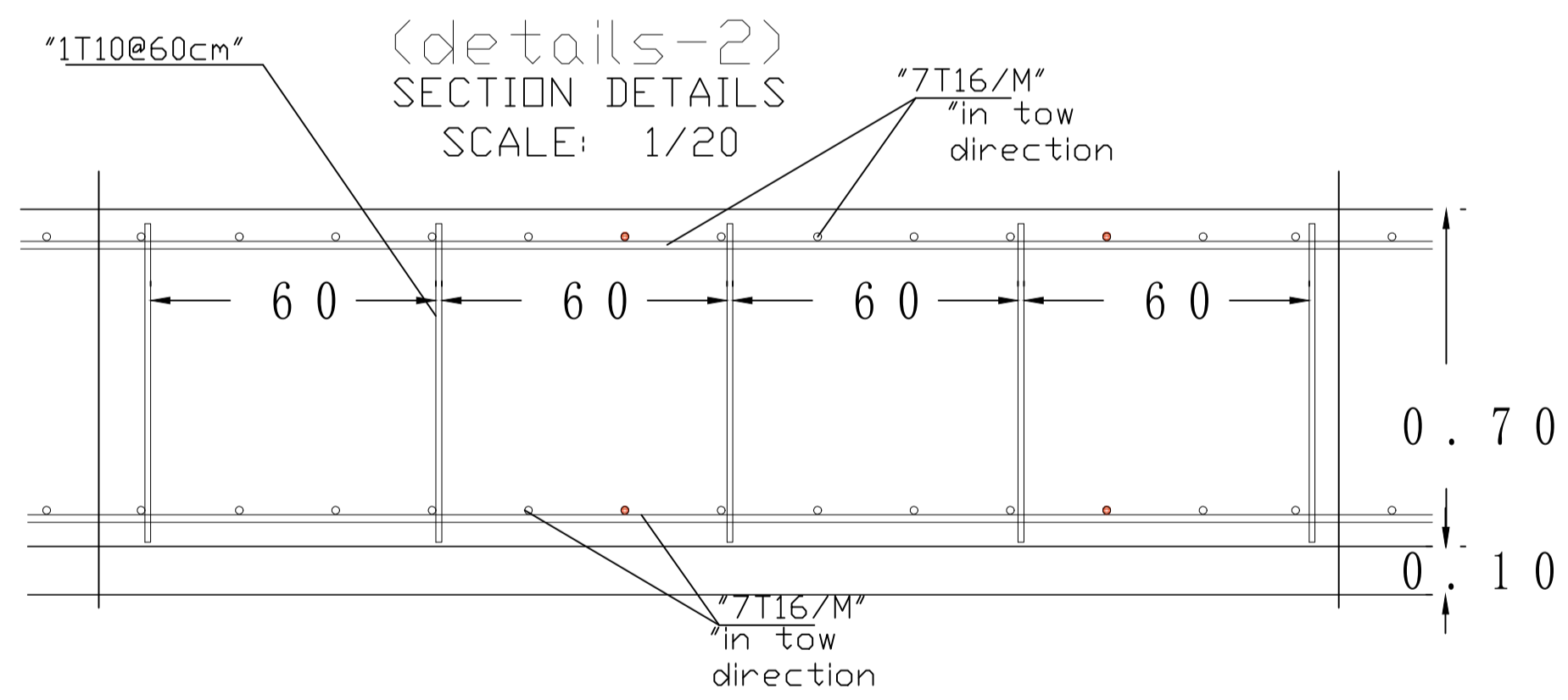
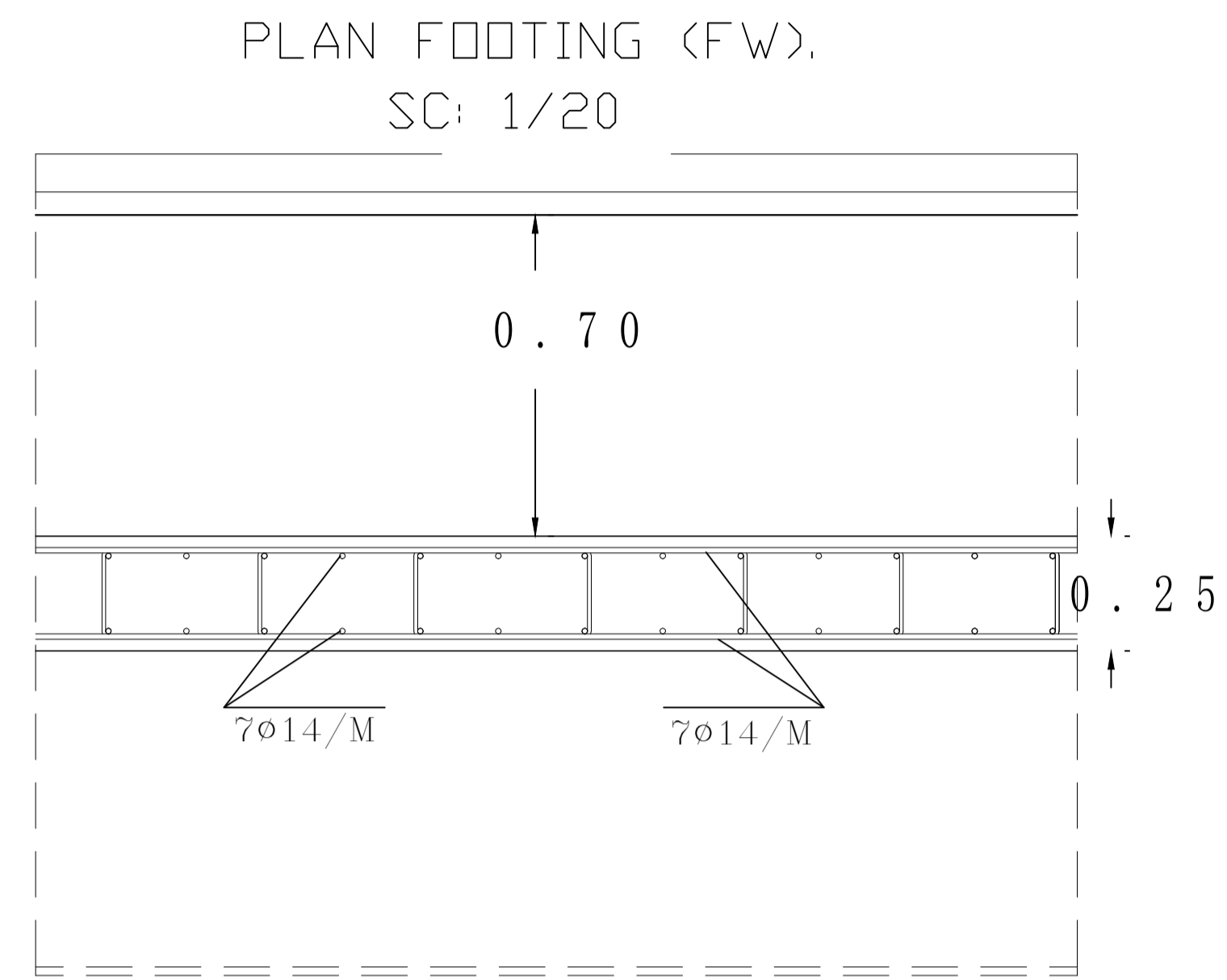
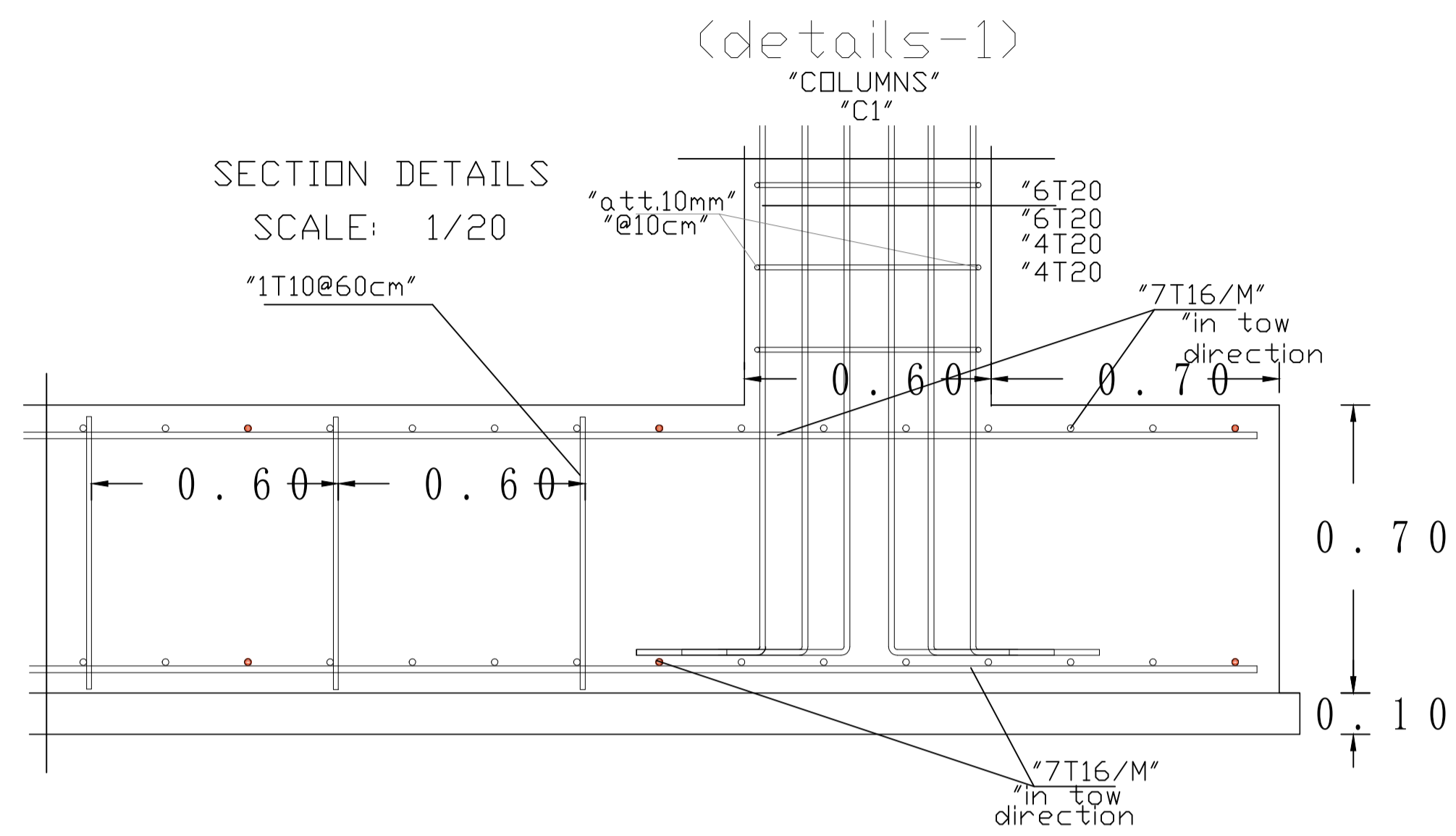


BLOCK-A



COLUMNS			
C1	25x70 12T14		11
C2	60x165 12T20 16T16		1
C3	25x105 18T14		1
C4	25x60 12T14		6
TOTAL COUMNS			19

OWNER	SH. SAMER SALAMEH
SITE	AL ROJMEH
PROPERTY	(484)
PLAN	FOUNDATION DETAILS
SCALE: 1/50	SHEET N 9(3)